

LOAD CENTER
VOLTAGE: 240/120V
SERVICE FEEDER SIZE: 2-#4/0 & 1-#2 AL

Circuit No.	Circuit Breakers Poles	Amps	200 AMP Main Service Breaker	Wiring No./Size
1,3	2	50	220 Volt Outlet (Welder)	5 - #6
2,4	2	30	220 Volt Outlet (Air compressor)	5 - #10
5,7	2	20	Water Pump	5 - #12
6,8	2	30	Water Heater	5 - #10
9,11	2	40	HVAC Outside Unit	5 - #8
10,12	2	60	HVAC Inside Air Handler Heat Strips	
13,15	2	30	HVAC Inside Air Handler Unit	
14	2	20	Shop Receptacles w/ GFCI protection	5 - #12
16	2	20	Shop Receptacles w/ GFCI protection	5 - #12
17	1	20	Work Shop General Lighting	5 - #12
18	1	20	Exit Lighting	5 - #12
19	1	20	Utility GFI Receptacles	5 - #12
20	1	20	Office, Restroom, Mech Lighting & Washer recpt	5 - #12
21	1	20	Implement Storage Lighting	5 - #12
22	1	20	Implement Storage Receptacles	5 - #12
23	1	20	Implement Storage Receptacles	5 - #12
24	1	20	Office Receptacles	5 - #12
25	1	20	Office Receptacles	5 - #12
26	1	20	Break, Restroom GFI Receptacles	5 - #12
27	1	20	Mechanical Room GFI Receptacle/ Microwave	5 - #12
28	1	20	Shop Exterior GFI Receptacle	5 - #12
29	1	20	Septic Tank alarm	5 - #12
30,32	2	30	Mechanical room Dryer receptacle	5 - #10
31	1	20	Garage door openers	5 - #12
33	1	20	Spare Breaker	
34	1	20	Spare Breaker	
35	1	20	Spare Breaker	
36-42			Spare Spaces	

ELECTRICAL WIRING SYMBOLS

- ⊕ GFI Receptacle
- ⊕ Duplex Outlet, Split Circuit
- ⊕ Duplex Outlet
- ⊕ 50 Amp, 220 Volt Outlet
- ⊕ 30 Amp, 220 Volt Outlet (Dryer)
- ⊕ Home Run / Circuit #
- ⊕ Water Heater
- ⊕ Telecommunications Outlet
- ⊕ Junction Box
- ⊕ Photo Cell
- ⊕ Exit lighting w/ batteries
- ⊕ Switch
- ⊕ Switch, 3 Way
- ⊕ Switch, 4 Way
- ⊕ Pressure Switch
- ⊕ Water Pump

RECEPTACLE & SWITCH MOUNTING HEIGHTS

Microwave	66"
Washer	36"
Dryer	36"
Office Receptacles and Telephone	18"
All switches and other receptacles	48"

LIGHTING SCHEDULE

MARK	QTY	DESCRIPTION	MODEL
A	0	16, 75" x 4" Surface Mount, 4 Lamp Elec Ballast, 15	LITHONIA SB452MVOLTCB1015
B	4	2' x 4' LED Panel	SIMKAR LPP2450LA011
C	11	15, 25" x 22" 4 LAMP LED HIGH BAY	LITHONIA 1PH15000LM 50080 MP OZIO 40K 80 CR
D	1	2" Integrated LED wall mount vanity light (25 watt)	LITHONIA FMVSL 3000K
E	3	Security motion, Wall Mount / Outside Unit	HEATH ZENITH SL-5630-BZ
F	3	Exit & Emergency combo light w/ batteries & remote head	LITHONIA ECRLEPHO M6 w/ ELA LED WP M12

Quotes for lighting fixtures can be provided by Gene Grassel @ 717-986-9558

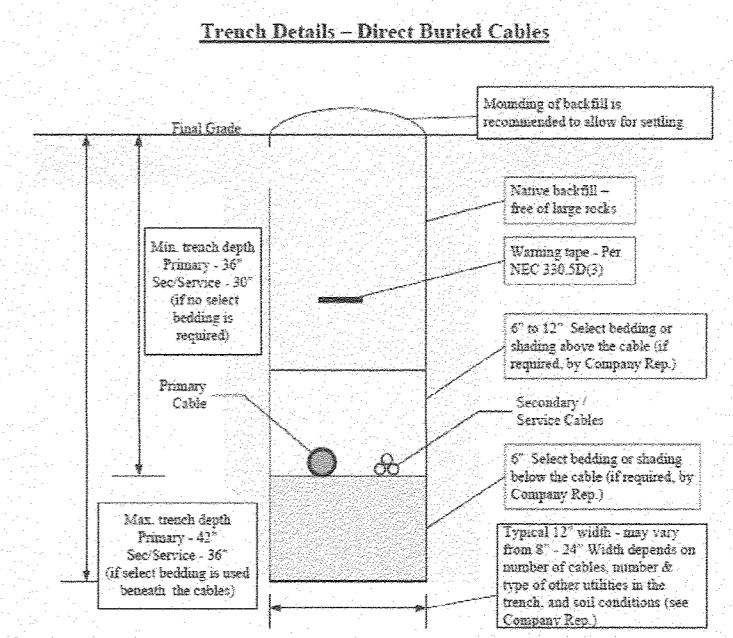
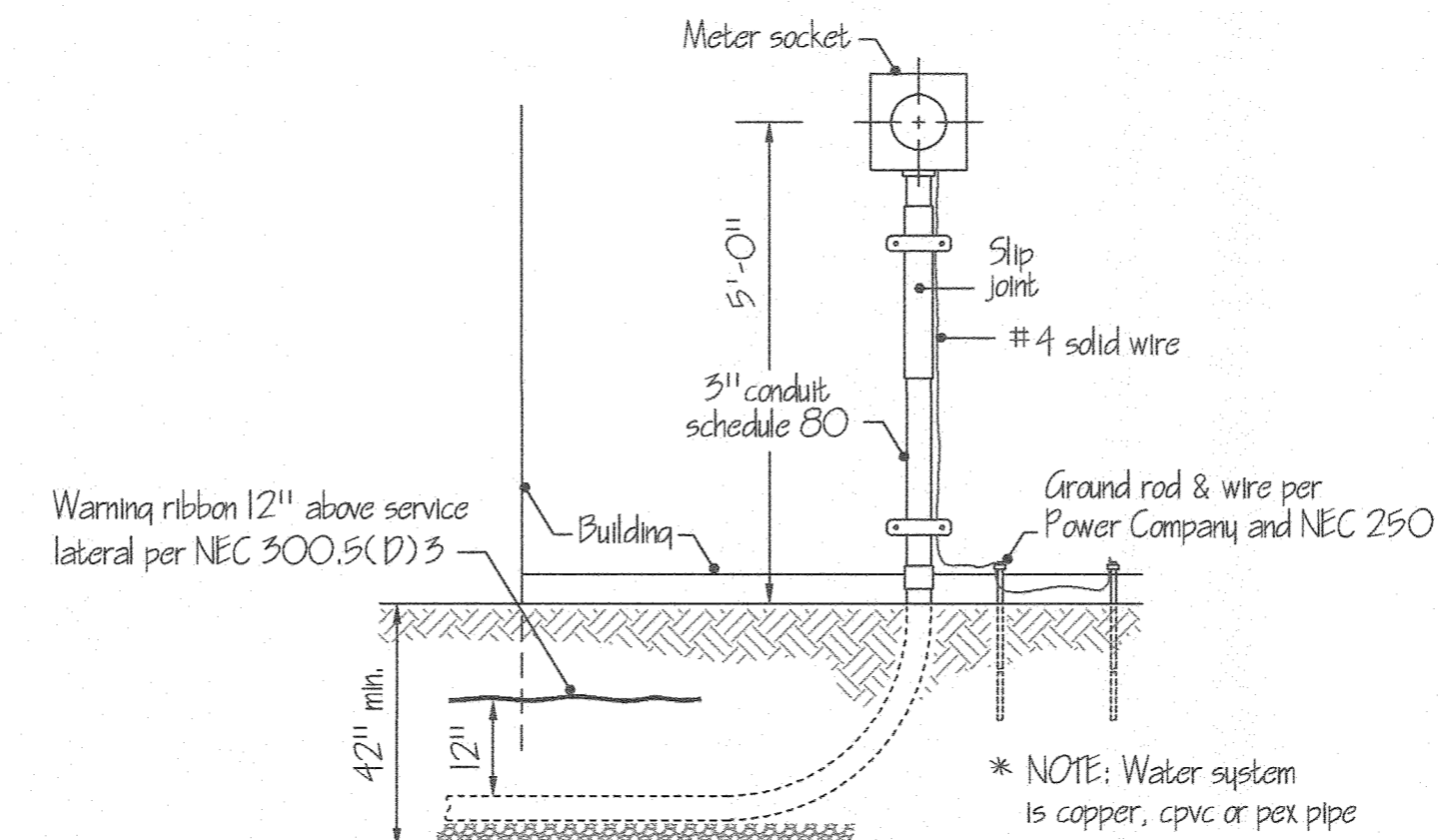


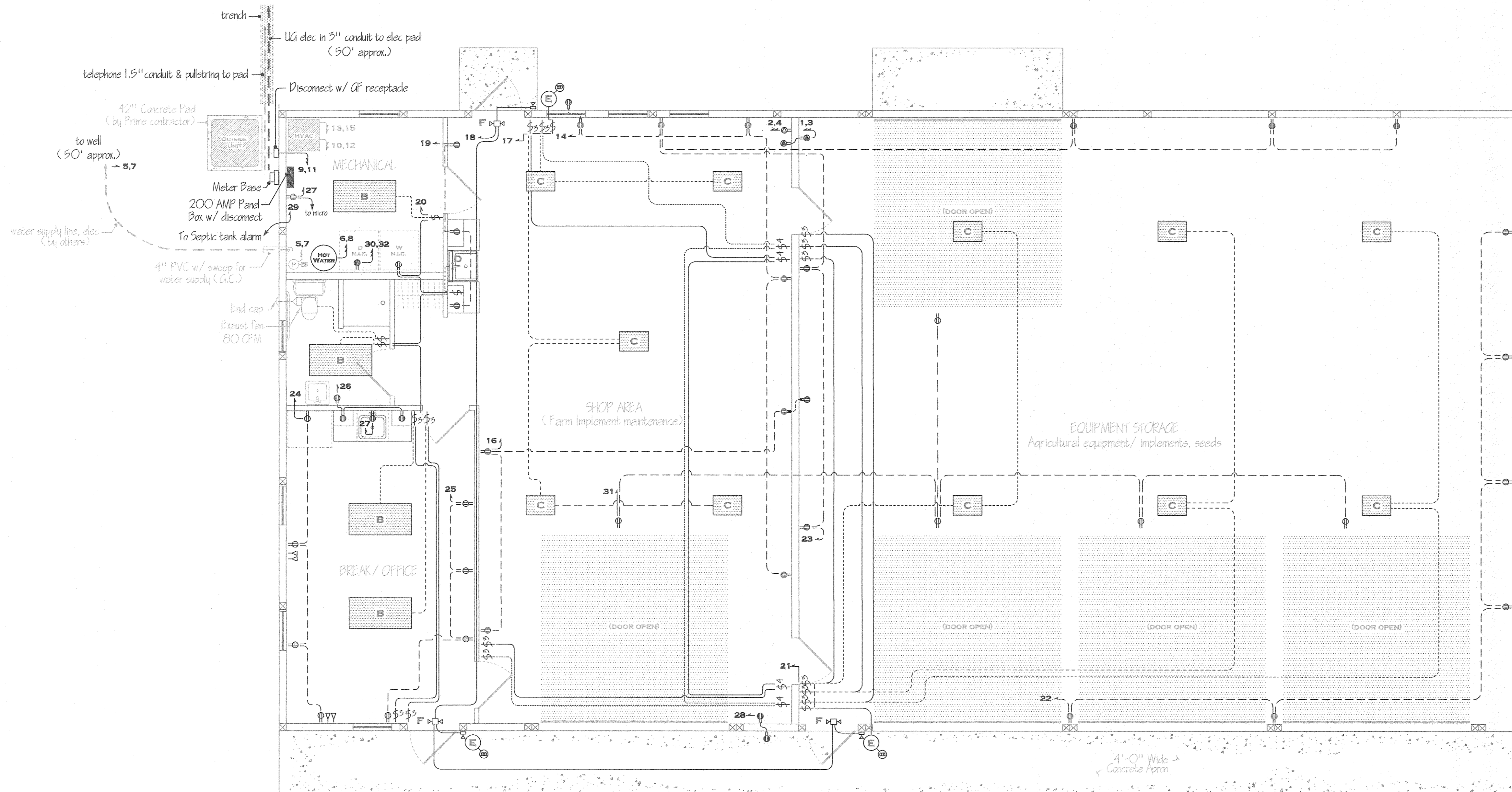
TABLE - MINIMUM COVER REQUIRED PER CODE (INCHES)

Owner / Code	Voltage (kV)	Direct Buried	Rigid Metallic Conduit (EMT)	Rigid Nonmetallic Conduit (RNC)	Street / Road	Public Right of Way	Direct Buried
0 - 600 V	24	6	18	24	24	24	24
> 600 V - 23 kV	30	6	18	24	24	24	24
> 23 kV - 49 kV	36	6	24	24	24	24	24

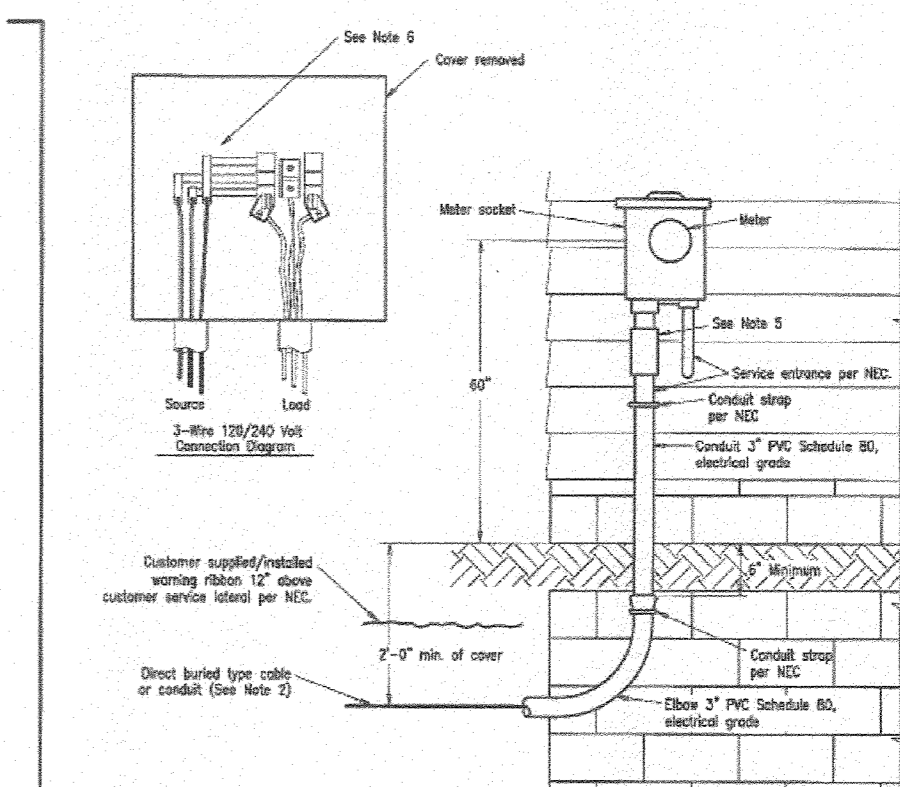
NOTES: (1) ETEC typically requires an additional 6 inches of cover to allow for variation in final grade.
(2) For cables located beneath roads under Penn DOT jurisdiction, cables must be installed in conduit and have a minimum of 18 inches of cover.

TRENCH DETAILS FOR DIRECT BURIED CABLES
FirstEnergy
EXHIBIT 23
Date: 11/09

* Match receptacle to welder

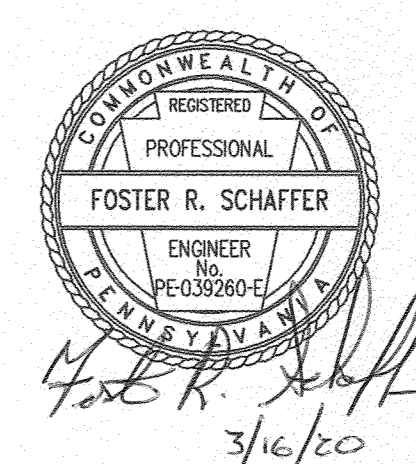


PLAN VIEW
SCALE: 1/4" = 1'-0"



NOTES:
1. For customer/Company responsibilities, see Exhibit 1.
2. For trenching and conduit details, see Exhibit 24.
3. See Section 6.0 for underground service details.
4. Meter socket may be connected to external ground rods, if required by the local inspection authorities.
5. The customer shall provide a well tamped and firm trench (see Exhibit 24). The customer shall provide ground movement protection per NEC 300.5(d) to prevent damage due to settlement or frost heaves. The Company recommends that the customer use a slip-joint conduit product. Additionally, sufficient slack or a slack box should be provided by the customer to allow for cable movement. For a 3-inch dia. conduit installation, the Company recommends that the customer install a slip joint with an attached slack box.
6. Side-bussed meter socket only.

TYPICAL SINGLE-PHASE UNDERGROUND SERVICE LATERAL INSTALLATION 400 AMP OR LESS
FirstEnergy
EXHIBIT 8
Date: 11/09



PENNSYLVANIA GAME COMMISSION
STATE GAME LANDS #322 LOGAN TWP. HUNTINGDON CO.
ELECTRIC DETAILS

REVISIONS	PROJECT NO.	PGC-322-19-1
Δ	DRAWING NO.	522-ELECTRIC-3
Δ	DRAWN BY:	JBM
Δ	DATE:	03-14-20
Δ	SHEET NO.	3 OF 5